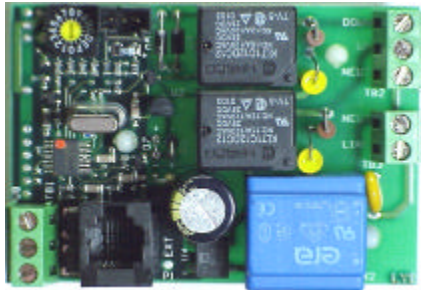
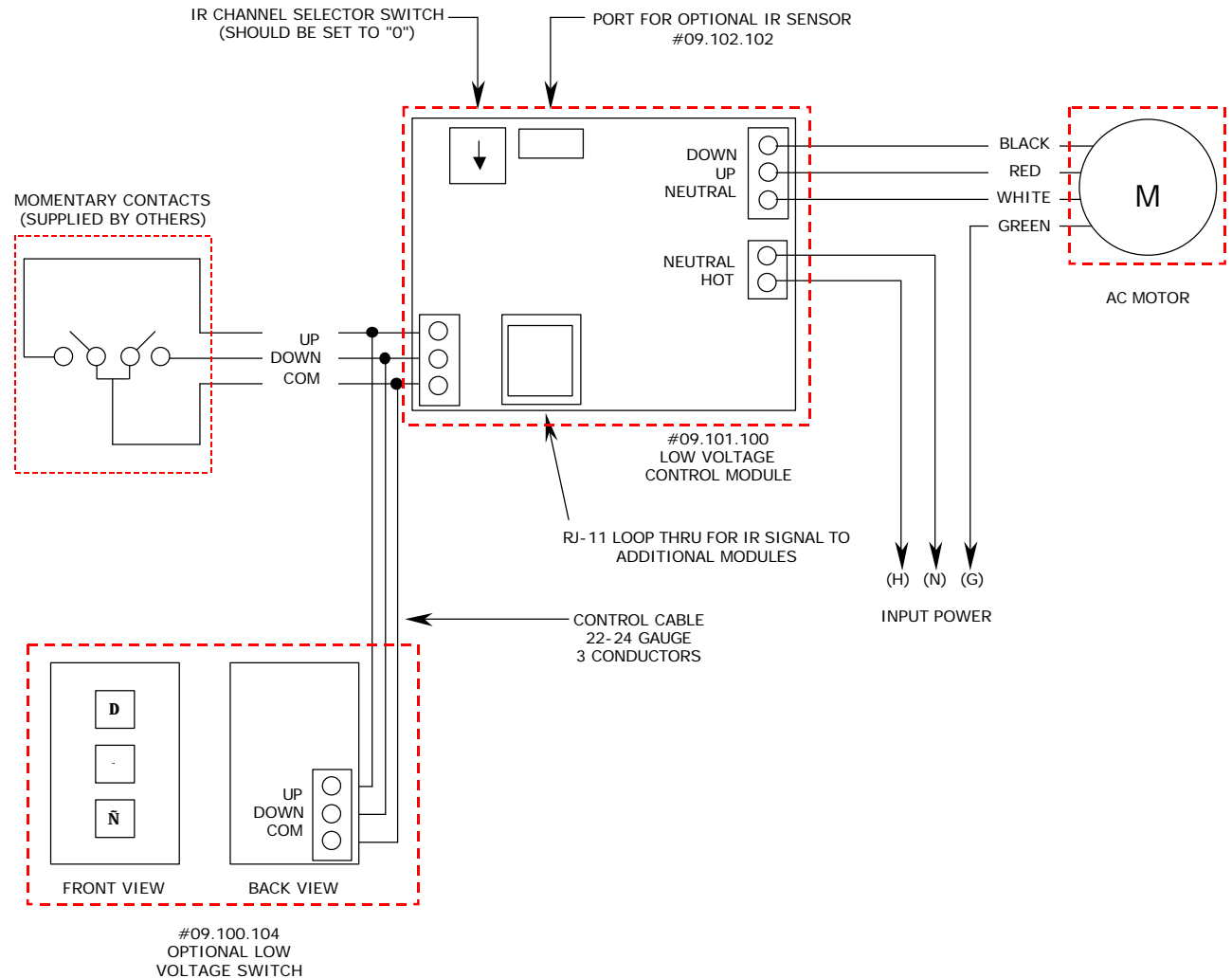




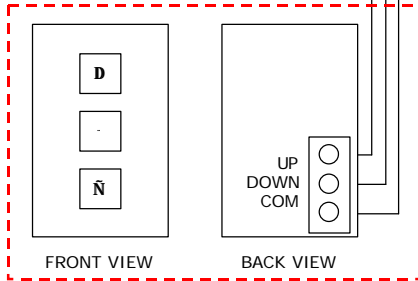
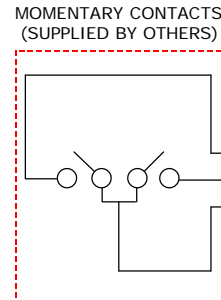
LOW VOLTAGE CONTROL SYSTEM



**USE ONLY 18 GAUGE STRANDED WIRE IN TERMINAL BLOCKS**



- MOMENTARY CONTACT OPERATION:**
- 1) BOTH CONTACTS SHOULD BE NORMALLY OPEN.
  - 2) CONTACT CLOSURES SHOULD BE MOMENTARY FOR 500 MS.
  - 3) TO STOP MOTOR BEFORE LIMIT ACTIVATE BOTH CONTACTS SIMULTANEOUSLY FOR 500 MS.
  - 4) IF THE MOTOR RUNS IN THE WRONG DIRECTION REVERSE THE BLACK AND RED WIRES ON THE MOTOR.



#09.100.104  
OPTIONAL LOW  
VOLTAGE SWITCH