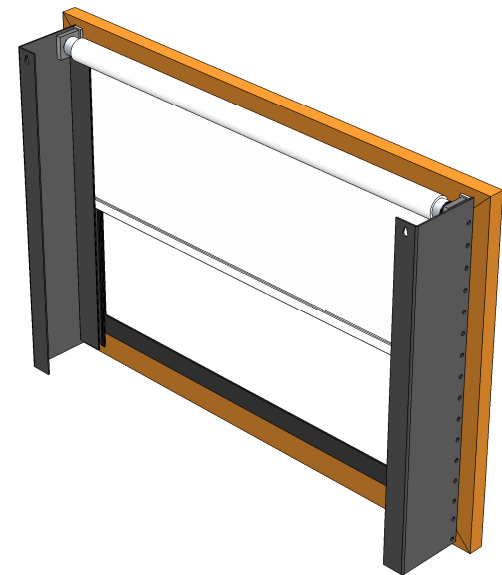
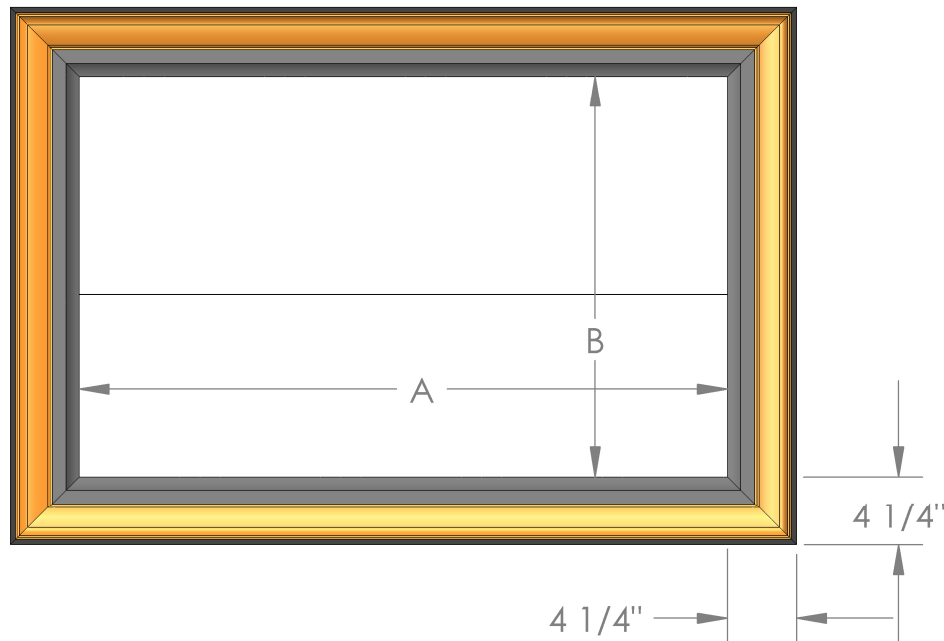


DIMENSIONS A & B:

A = OVERALL OUTSIDE HEIGHT OF PLASMA SCREEN BEZEL.  
 B = OVERALL OUTSIDE WIDTH OF PLASMA SCREEN BEZEL.



**Motorized Artwork System**